



# ST95 / ST125 SERIES

## GENERAL SPECIFICATION - ST95 & ST125

**Size:** ST95 - 3.5"  
ST125 - 4.5"

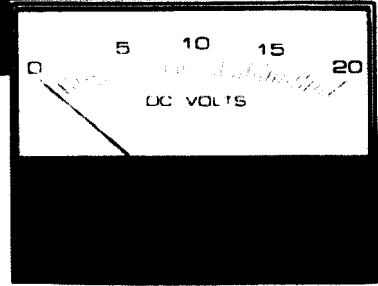
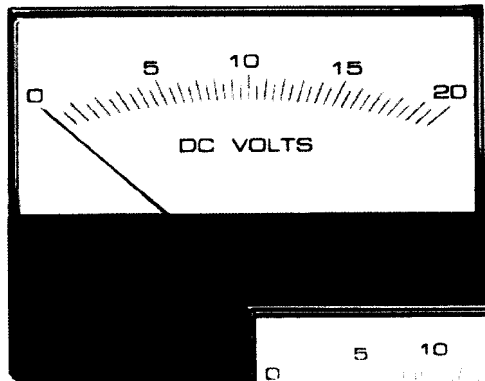
**Accuracy:** All AC & DC Iron Vane +/-2% of Full Scale  
ALL AC Rectifier Type +/-3% of Full Scale  
All Frequency Type +/-0.3HZ

**Overload:** ALL AC & DC Voltmeters - 50% Momentary / 20% Prolonged  
ALL AC & DC Ammeters - 50% Momentary / 20% Prolonged  
All Frequency Type - 20% Maximum

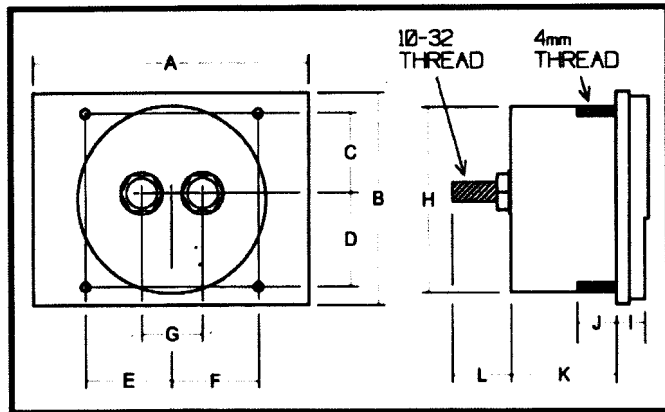
**Burden:** AC Ammeters - 0.5VA Maximum

**Standards:** ANSI C39.1

**Approvals:** UL, CE

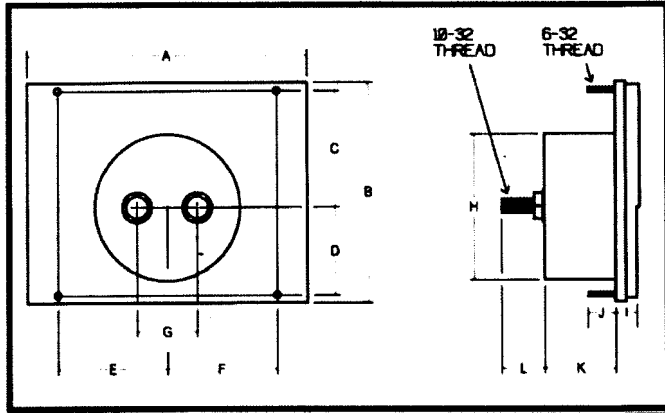


## DIMENSIONS



ST95

ST125



| MODELS | A    | B    | C    | D    | E    | F    | G    | H    | I    | J    | K    | L    |
|--------|------|------|------|------|------|------|------|------|------|------|------|------|
| ST95   | 3.70 | 2.87 | 1.12 | 1.12 | 1.12 | 1.12 | 1.10 | 2.44 | 0.41 | 0.51 | 1.29 | 0.47 |
| ST125  | 5.08 | 3.96 | 2.03 | 1.52 | 1.99 | 1.99 | 1.10 | 2.64 | 0.51 | 0.51 | 1.29 | 0.47 |

## POWER MEASUREMENT AND CONTROL SPECIALISTS

## STANDARD PART NUMBERS

### 3.5" AC VOLTMETERS

| Model        | Input     | Scale     |
|--------------|-----------|-----------|
| ST95150V150V | 0-150V,AC | 0-150V,AC |
| ST95300V300V | 0-300V,AC | 0-300V,AC |
| ST95600V600V | 0-600V,AC | 0-600,VAC |
| ST95150V600V | 0-150V,AC | 0-600,VAC |
| ST95300V600V | 0-300V,AC | 0-600V,AC |
| ST95150V*V   | 0-150V,AC | 0-*V,AC   |

Note: \*=-advise desired PT ratio / end scale value.

Note: Also available in moving coil rectifier type. Please consult factory.

### 3.5" DC VOLTMETERS

| Model          | Input     | Scale     |
|----------------|-----------|-----------|
| ST95DC30V30V   | 0-30V,DC  | 0-30V,DC  |
| ST95DC50V50V   | 0-50V,DC  | 0-50V,DC  |
| ST95DC100V100V | 0-100V,DC | 0-100V,DC |
| ST95DC150V150V | 0-150V,DC | 0-150V,DC |
| ST95DC300V300V | 0-300V,DC | 0-300V,DC |

### 3.5" AC AMMETERS

| Model      | Input   | Scale     |
|------------|---------|-----------|
| ST955A50A  | 0-5A,AC | 0-50A,AC  |
| ST955A100A | 0-5A,AC | 0-100A,AC |
| ST955A150A | 0-5A,AC | 0-150A,AC |
| ST955A200A | 0-5A,AC | 0-200A,AC |
| ST955A**A  | 0-5A,AC | 0-**A,AC  |

Note: \*\*=-advise desired CT ratio / end scale value.

### 3.5" FREQUENCY METERS

| Model       | Input   | Scale   |
|-------------|---------|---------|
| ST95HZ55651 | 120V,AC | 55-65HZ |
| ST95HZ45651 | 120V,AC | 45-65HZ |
| ST95HZ45551 | 120V,AC | 45-55HZ |
| ST95HZ55652 | 240V,AC | 55-65HZ |
| ST95HZ45652 | 240V,AC | 45-65HZ |
| ST95HZ45552 | 240V,AC | 45-55HZ |

### 3.5" DC INDICATORS

| Model          | Input      | Scale |
|----------------|------------|-------|
| ST95DC50mV/**  | 0-50mV,DC  | 0-*** |
| ST95DC1ma/**   | 0-1mA,DC   | 0-*** |
| ST95DC420ma/** | 4-20mA,DC  | 0-*** |
| ST95DC****V/** | 0-****V,DC | 0-*** |

Note: \*\*=-advise end scale value and caption.

Note: \*\*\*\*=-advise end scale voltage input.

### 4.5" AC VOLTMETERS

| Model         | Input     | Scale     |
|---------------|-----------|-----------|
| ST125150V150V | 0-150V,AC | 0-150V,AC |
| ST125300V300V | 0-300V,AC | 0-300V,AC |
| ST125600V600V | 0-600V,AC | 0-600,VAC |
| ST125150V600V | 0-150V,AC | 0-600,VAC |
| ST125300V600V | 0-300V,AC | 0-600V,AC |
| ST125150V*V   | 0-150V,AC | 0-*V,AC   |

### 4.5" DC VOLTMETERS

| Model           | Input     | Scale     |
|-----------------|-----------|-----------|
| ST125DC30V30V   | 0-30V,DC  | 0-30V,DC  |
| ST125DC50V50V   | 0-50V,DC  | 0-50V,DC  |
| ST125DC100V100V | 0-100V,DC | 0-100V,DC |
| ST125DC150V150V | 0-150V,DC | 0-150V,DC |
| ST125DC300V300V | 0-300V,DC | 0-300V,DC |

### 4.5" AC AMMETERS

| Model       | Input   | Scale     |
|-------------|---------|-----------|
| ST1255A50A  | 0-5A,AC | 0-50A,AC  |
| ST1255A100A | 0-5A,AC | 0-100A,AC |
| ST1255A150A | 0-5A,AC | 0-150A,AC |
| ST1255A200A | 0-5A,AC | 0-200A,AC |
| ST1255A**A  | 0-5A,AC | 0-**A,AC  |

### 4.5" FREQUENCY METERS

| Model        | Input   | Scale   |
|--------------|---------|---------|
| ST125HZ55651 | 120V,AC | 55-65HZ |
| ST125HZ45651 | 120V,AC | 45-65HZ |
| ST125HZ45551 | 120V,AC | 45-55HZ |
| ST125HZ55652 | 240V,AC | 55-65HZ |
| ST125HZ45652 | 240V,AC | 45-65HZ |
| ST125HZ45552 | 240V,AC | 45-55HZ |

### 4.5" DC INDICATORS

| Model           | Input      | Scale |
|-----------------|------------|-------|
| ST125DC50mV/**  | 0-50mV,DC  | 0-*** |
| ST125DC1ma/**   | 0-1mA,DC   | 0-*** |
| ST125DC420ma/** | 4-20mA,DC  | 0-*** |
| ST125DC****V/** | 0-****V,DC | 0-*** |

Note: \*\*=-advise end scale value and caption.

Note: \*\*\*\*=-advise end scale voltage input.

## AVAILABLE OPTIONS

Panel Gaskets, NEMA4, Rectifier Movements (25-1000HZ), Improved Accuracy, Colored Dials, Custom Artwork, Customer Logo, etc...

### SPECIFICATION

PC&S believes in continuous product development and reserves the right to modify and alter the specifications contained in this brochure as required, and without notice.

### WARRANTY

PC&S, at its sole discretion, agrees to repair, or replace, or refund the purchase price of the product contained herein that are found to be defective in material or workmanship, or do not conform to specifications, if written notice is received by PC&S within 1 year from date of shipment. PC&S assumes no liability, expressed or implied beyond the obligation to repair, replace, or refund the purchase price of the defective material.



Power Measurement Specialists

1-800-523-9194

149 Main St. • Stanhope, New Jersey 07874 • Phone (973) 448-9400 • Fax (973) 448-1674 • Web Site: www.pc-s.com